

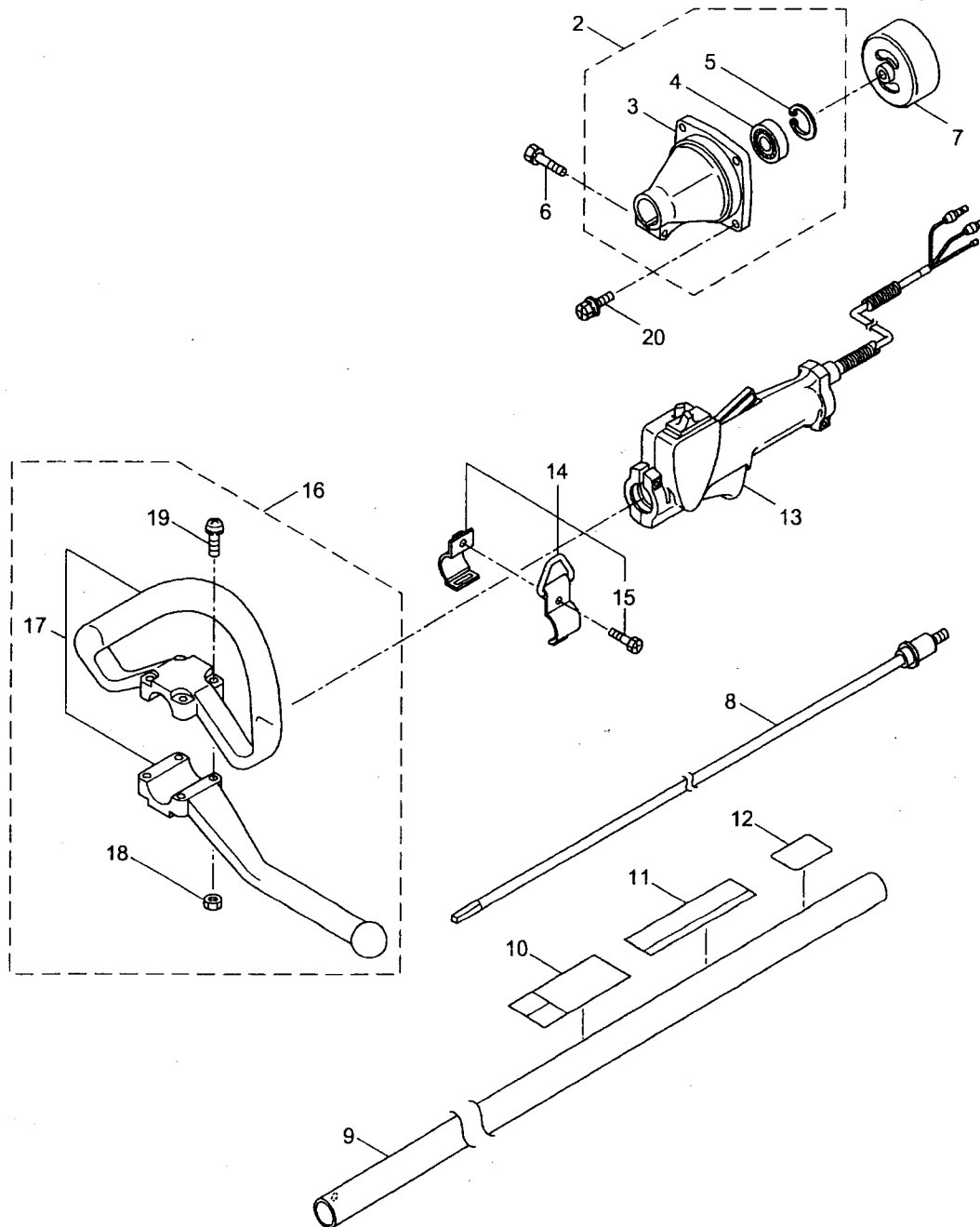
HAYTER

MAKERS OF THE FINEST MOWERS

Spare Parts List

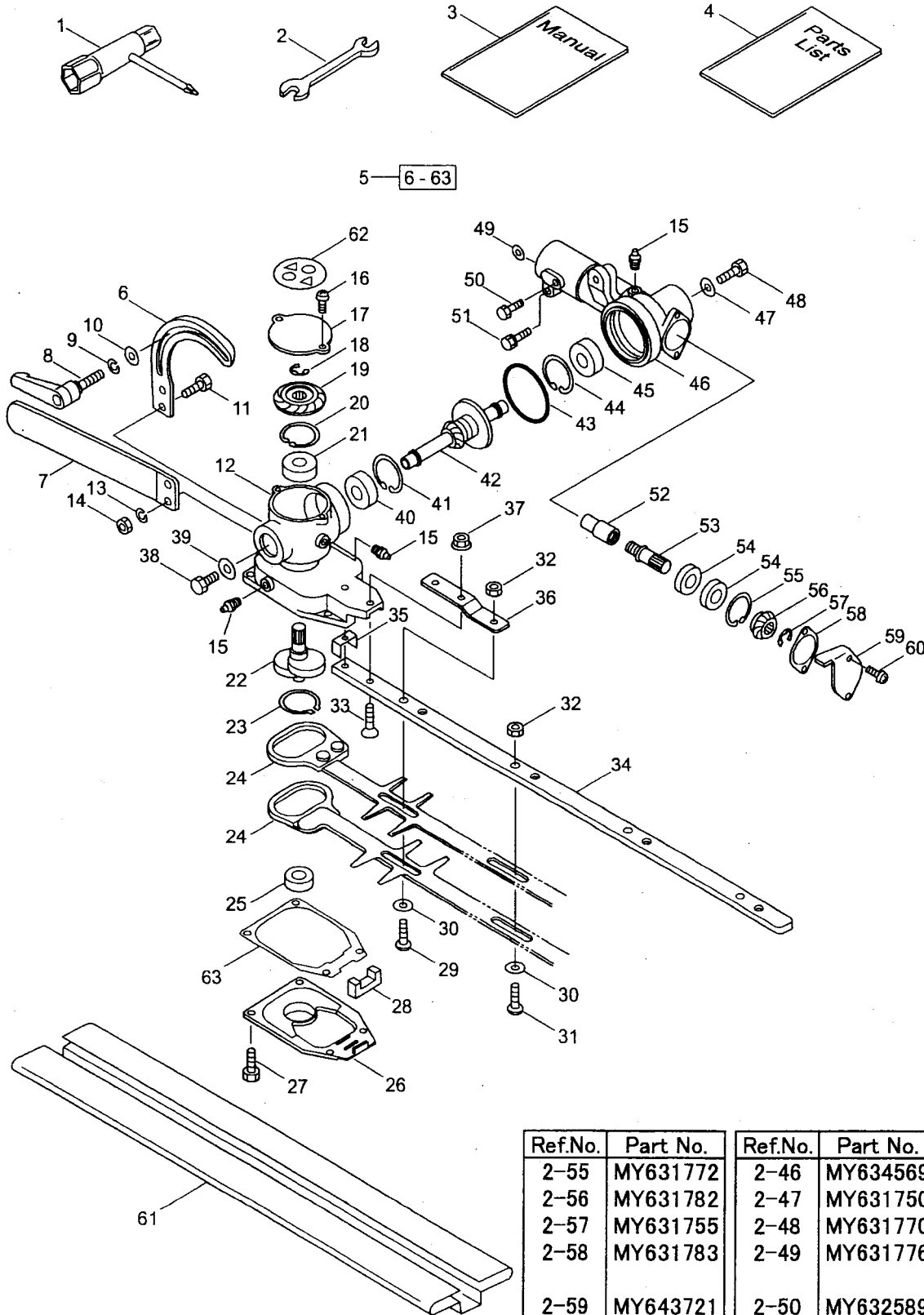
P/N.MY521707

1-AHT230D-L(HAYTER) MAIN BODY



| Ref.No. | Part No. |
|---------|----------|
| 1-1 | MY363052 |
| 1-2 | MY219602 |
| 1-3 | MY219465 |
| 1-4 | MY016405 |
| 1-5 | MY013825 |
| 1-6 | MY092550 |
| 1-7 | MY054677 |
| 1-8 | MY224644 |
| 1-9 | MY224643 |
| 1-10 | MY223188 |
| 1-11 | MY226599 |
| 1-12 | |
| 1-13 | MY223185 |
| 1-14 | MY054691 |
| 1-15 | MY089738 |
| 1-16 | MY225698 |
| 1-17 | MY225699 |
| 1-18 | MY081027 |
| 1-19 | MY222142 |
| 1-20 | MY817002 |

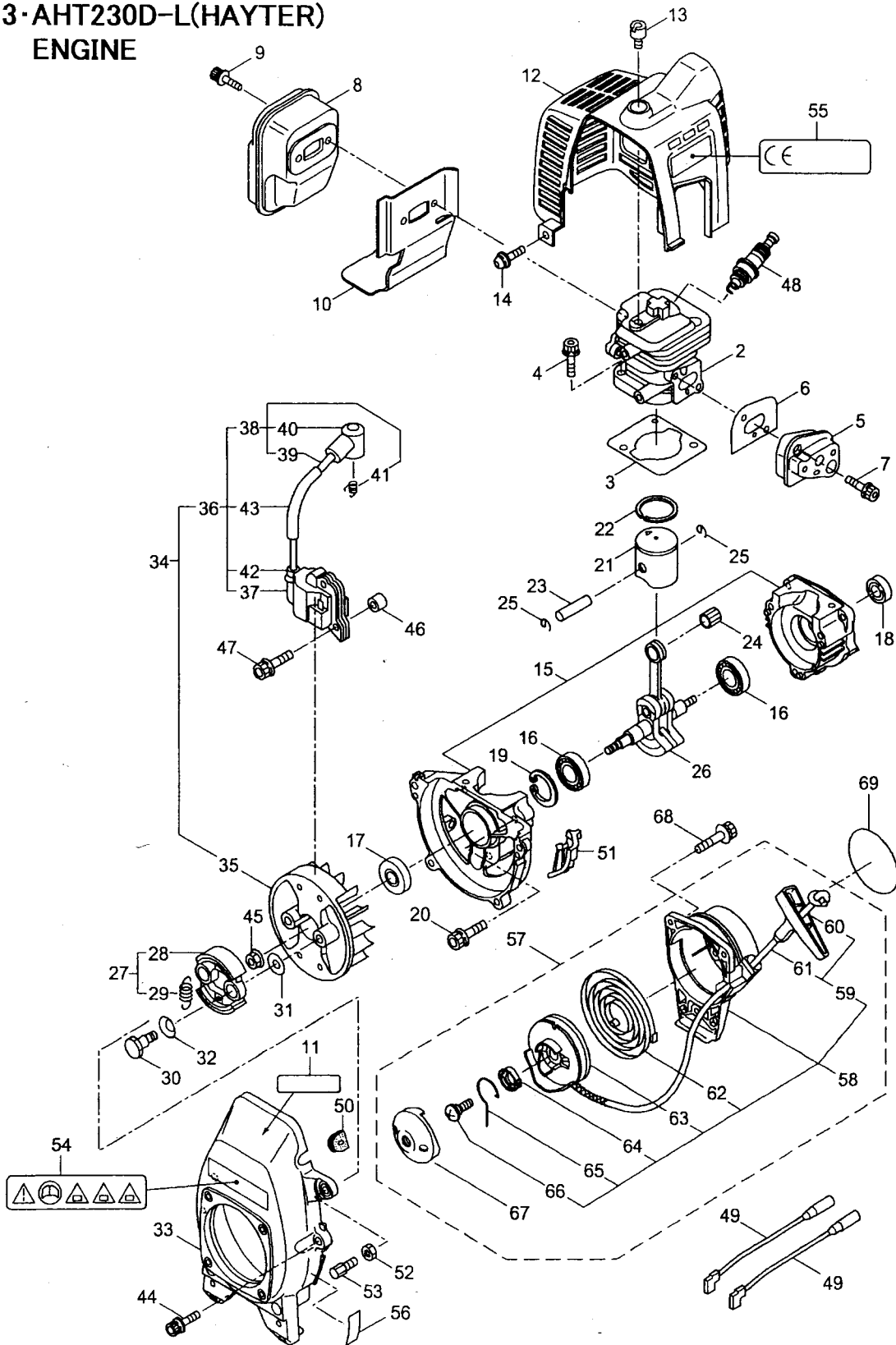
2-AHT230D-L(HAYTER) BLADE



| Ref.No. | Part No. |
|---------|----------|
| 2-1 | MY210418 |
| 2-2 | MY022865 |
| 2-3 | MY226681 |
| 2-4 | MY521707 |
| 2-5 | MY223916 |
| 2-6 | MY223873 |
| 2-7 | MY223872 |
| 2-8 | MY631748 |
| 2-9 | MY631749 |
| 2-10 | MY631750 |
| 2-11 | MY631751 |
| 2-12 | MY634568 |
| 2-13 | MY631749 |
| 2-14 | MY582438 |
| 2-15 | MY580766 |
| 2-16 | MY631753 |
| 2-17 | MY631754 |
| 2-18 | MY631755 |
| 2-19 | MY631756 |
| 2-20 | MY631757 |
| 2-21 | MY582443 |
| 2-22 | MY631758 |
| 2-23 | MY631759 |
| 2-24 | MY631760 |
| 2-25 | MY580768 |
| 2-26 | MY634570 |
| 2-27 | MY634572 |
| 2-28 | MY631763 |
| 2-29 | MY631764 |
| 2-30 | MY991913 |
| 2-31 | MY631765 |
| 2-32 | MY580764 |
| 2-33 | MY631766 |
| 2-34 | MY631767 |
| 2-35 | MY631768 |
| 2-36 | MY631769 |
| 2-37 | MY580763 |
| 2-38 | MY631770 |
| 2-39 | MY631750 |
| 2-40 | MY631771 |
| 2-41 | MY631772 |
| 2-42 | MY631773 |
| 2-43 | MY631774 |
| 2-44 | MY631757 |
| 2-45 | MY582443 |

| Ref.No. | Part No. | Ref.No. | Part No. |
|---------|----------|---------|----------|
| 2-55 | MY631772 | 2-46 | MY634569 |
| 2-56 | MY631782 | 2-47 | MY631750 |
| 2-57 | MY631755 | 2-48 | MY631770 |
| 2-58 | MY631783 | 2-49 | MY631776 |
| 2-59 | MY643721 | 2-50 | MY632589 |
| 2-60 | MY643722 | 2-51 | MY632590 |
| 2-61 | MY631785 | 2-52 | MY631779 |
| 2-62 | MY631786 | 2-53 | MY631780 |
| 2-63 | MY634571 | 2-54 | MY631781 |

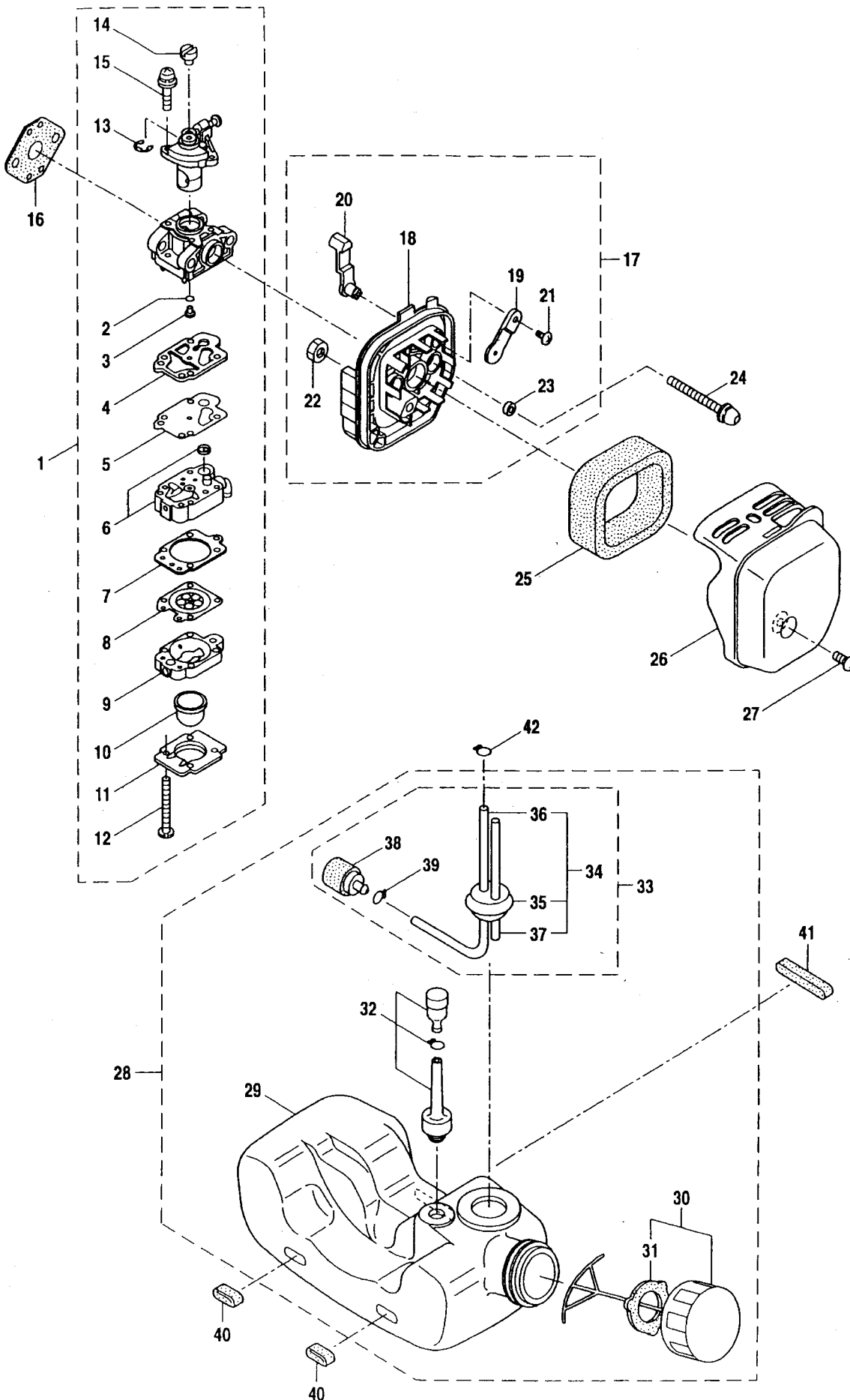
3-AHT230D-L(HAYTER) ENGINE



| Ref.No. | Part No. |
|---------|----------|
| 3-1 | MY850823 |
| 3-2 | MY266249 |
| 3-3 | MY267178 |
| 3-4 | MY267290 |
| 3-5 | MY265802 |
| 3-6 | MY267049 |
| 3-7 | MY265924 |
| 3-8 | MY269664 |
| 3-9 | MY266264 |
| 3-10 | MY280266 |
| 3-11 | MY280947 |
| 3-12 | MY280955 |
| 3-13 | MY264022 |
| 3-14 | MY267177 |
| 3-15 | MY267063 |
| 3-16 | MY261491 |
| 3-17 | MY261492 |
| 3-18 | MY261386 |
| 3-19 | MY055185 |
| 3-20 | MY261612 |
| 3-21 | MY263569 |
| 3-22 | MY263789 |
| 3-23 | MY261036 |
| 3-24 | MY263957 |
| 3-25 | MY261576 |
| 3-26 | MY267193 |
| 3-27 | MY264025 |
| 3-28 | MY264026 |
| 3-29 | MY264028 |
| 3-30 | MY264505 |
| 3-31 | MY261189 |
| 3-32 | MY261777 |
| 3-33 | MY280957 |
| 3-34 | MY269818 |
| 3-35 | MY269806 |
| 3-36 | MY267173 |
| 3-37 | MY267174 |
| 3-38 | MY267403 |
| 3-39 | MY267404 |
| 3-40 | MY261074 |
| 3-41 | MY261075 |
| 3-42 | MY261072 |
| 3-43 | MY269418 |
| 3-44 | MY261250 |
| 3-45 | MY261417 |

| Ref.No. | Part No. | Ref.No. | Part No. | Ref.No. | Part No. | Ref.No. | Part No. |
|---------|----------|---------|----------|---------|----------|---------|----------|
| 3-64 | MY267215 | 3-58 | MY267097 | 3-52 | MY261878 | 3-46 | MY268380 |
| 3-65 | MY267216 | 3-59 | MY267217 | 3-53 | MY265409 | 3-47 | MY261256 |
| 3-66 | MY267213 | 3-60 | MY267219 | 3-54 | MY265694 | 3-48 | MY262483 |
| 3-67 | MY267098 | 3-61 | MY267218 | 3-55 | MY267561 | 3-49 | MY267093 |
| 3-68 | MY265726 | 3-62 | MY267214 | 3-56 | MY281074 | 3-50 | MY261202 |
| 3-69 | MY280982 | 3-63 | MY267212 | 3-57 | MY267096 | 3-51 | MY264582 |

4-AHT230D-L(HAYTER) CARBURETOR, FUEL TANK



| Ref.No. | Part No. |
|---------|----------|
| 4-1 | MY267100 |
| 4-2 | MY261871 |
| 4-3 | MY267358 |
| 4-4 | MY262995 |
| 4-5 | MY262994 |
| 4-6 | MY263739 |
| 4-7 | MY262993 |
| 4-8 | MY261873 |
| 4-9 | MY262991 |
| 4-10 | MY261874 |
| 4-11 | MY262992 |
| 4-12 | MY262996 |
| 4-13 | MY261876 |
| 4-14 | MY261658 |
| 4-15 | MY264682 |
| 4-16 | MY261864 |
| 4-17 | MY269052 |
| 4-18 | MY269050 |
| 4-19 | MY269028 |
| 4-20 | MY269029 |
| 4-21 | MY269032 |
| 4-22 | MY081028 |
| 4-23 | MY269051 |
| 4-24 | MY262720 |
| 4-25 | MY269030 |
| 4-26 | MY269027 |
| 4-27 | MY269031 |
| 4-28 | MY267598 |
| 4-29 | MY267103 |
| 4-30 | MY262726 |
| 4-31 | MY261105 |
| 4-32 | MY261696 |
| 4-33 | MY267309 |
| 4-34 | MY266955 |
| 4-35 | MY261115 |
| 4-36 | MY265469 |
| 4-37 | MY263038 |
| 4-38 | MY264653 |
| 4-39 | MY261117 |
| 4-40 | MY264318 |
| 4-41 | MY263824 |
| 4-42 | MY261117 |